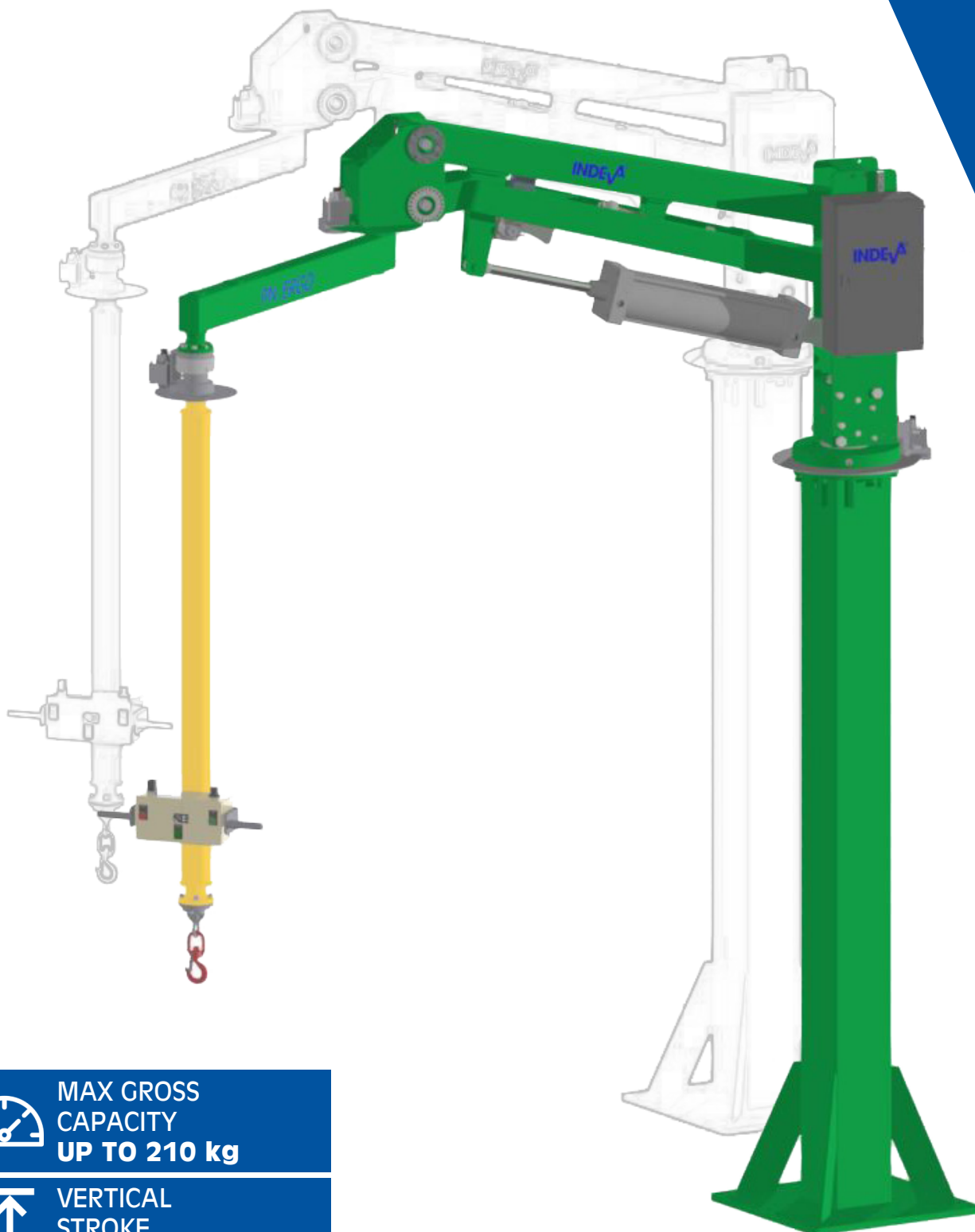


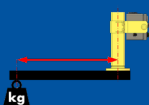
PN SERIES: PN160 COLUMN MOUNTED



MAX GROSS
CAPACITY
UP TO 210 kg



VERTICAL
STROKE
MAX 2.28 m



OFF-SET
LOADS

INDEVA[®]

INTELLIGENT DEVICES FOR HANDLING

PN SERIES: PN160 COLUMN MOUNTED

Model		PN160 STD		PN160 L	
Type		PN160	PN160 + ⁽⁴⁾	PN160L	PN160L + ⁽⁴⁾
SQ⁽¹⁾ (Max Load capacity)	kg	160	210	75	120
Min Load capacity	kg	12	12	12	12
L1	mm	1635	1635	2135	2135
L2	mm	1065	1065	1365	1365
R1 *	mm	2700	2700	3500	3500
R2	mm	942	942	1238	1238
RH	mm	-	910	-	910
A⁽²⁾	mm	4239	4239	4831	4831
B⁽²⁾	mm	3444	3444	3744	3744
C⁽²⁾	mm	2470	2470	2770	2770
D Vertical stroke	mm	1716	1716	2289	2289
E⁽²⁾	mm	2016	2016	2036	2036
Weight (with column and load)	kg	670	856	618	802
Fv max⁽³⁾	daN	777	987	710	920
Mges max⁽³⁾	daNm	902	946	801	887

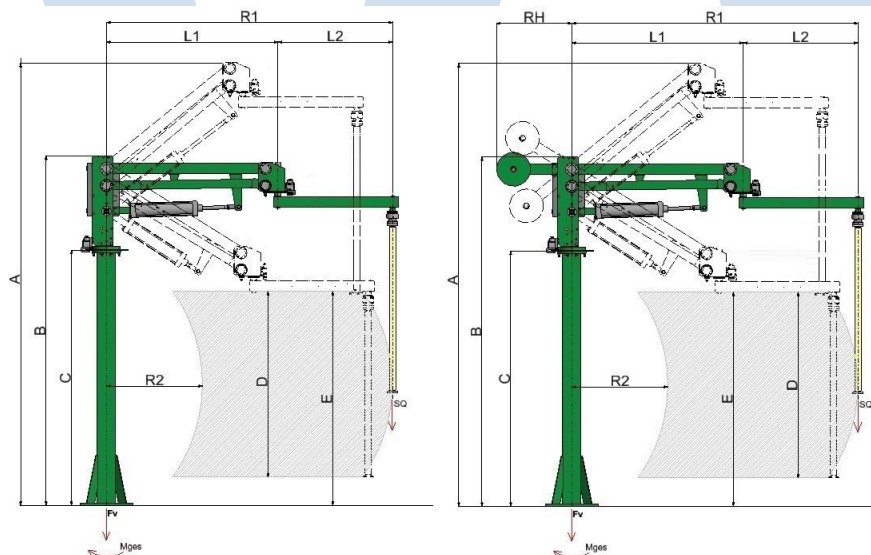
(1) Nominal load capacity SQ is determined with a compressed air supply of minimum 0,65 MPa (6,5 bar) and standard off-set load.

(2) Within certain limits, these values can be modified to suit specific requirements.

(3) Values including the relevant safety factor, according to UNI EN 13001.

(4) With counterweights.

* Most common configurations. Other arm lengths available, all values change accordingly.



GENERAL TECHNICAL SPECIFICATIONS

Standard features:

- Air pressure 0,65 MPa (6,5 bar)
- Noise level < 70 dB (A)
- Lift speed from 15 to 30 m/min
- Main column axis brake
- Intermediate joint axis brake
- Continuous column rotation
- Slow descent in case of pressure failure
- Load balancing: standard, 1 load preset

Available options:

- Continuous swivel joint on the tool axis
- Lifting capacity limiter
- Brake for up/down movement
- Special painting
- Steel platform
- Limit switch for the main and intermediate joint axis
- Load balancing: adjustment system for different load weights

Due to continuous product improvement, these specifications may change without notice.

This document is property of INDEVA S.p.A.; any partial or full reproduction without written authorization by the owner is prohibited.

WORKING ENVIRONMENT REQUIREMENTS

- Relative humidity rate: 30% to 90%
- Working temperature 5 to 50 °C

CONFIGURATION CHART

